

G15 Specifications

Port Dimensions (16.6 GPM Max.)

Intake & discharge connection:

Aluminum (ADC-12)	1/2" Female NPT
Polypropylene (PPG)	1/2" Female NPT
Stainless Steel (316)	1/2" Female NPT
Air inlet (incl. ball valve):	1/4" Female NPT
Air exhaust (incl. silencer):	3/8" Female NPT

Maximum Liquid Temperature*

Diaphragm Material	Temperature
Buna N	180°F (82°C)
Santoprene® (TPO)	212°F (100°C)
PTFE	212°F (100°C)

*The maximum liquid temperature for metal pumps is determined by the elastomer (diaphragm material). Polypropylene pumps have a maximum liquid temperature of 180°F (82°C) regardless of diaphragm material.

Air Supply Pressure (All Models)

20–100 PSI (1.4–7 kgf/cm²)

Discharge Volume Per Cycle

All diaphragms: 0.039 - 0.050 gallons

Maximum Cycles Per Minute

All diaphragms: 379

Maximum Size Solid

1/32" (1 mm)

Maximum Dry Suction Lift

Rubber fitted pump capability: 13.5'

PTFE fitted pump capability: 11'

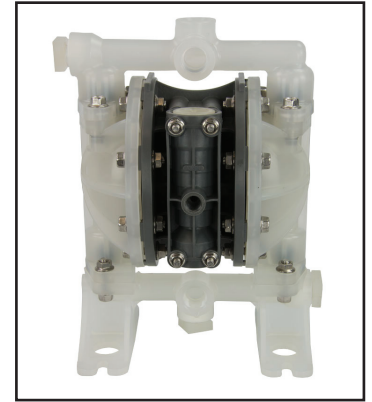
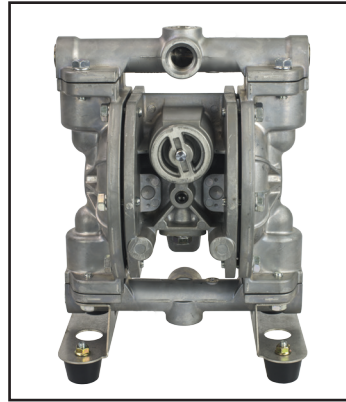
Air Motor

Aluminum air motor standard on metal pumps.
Polypropylene air motor standard on plastic pumps.

Valve Type

Ball

Notes: Santoprene® fitted pumps include EPDM wetted o-rings.



Aluminum (NPT)

Dimensions: 7.64"W x 10.43"H

Net Wt.: 11.9 lbs. (5.4 kg)

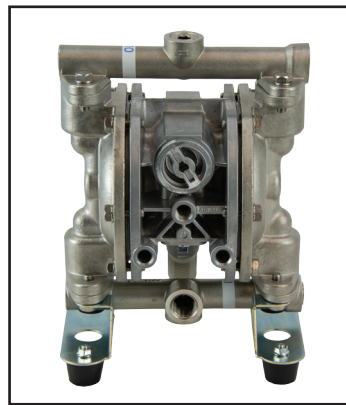
Shipping Wt.: 15 lbs.

Polypropylene

NPT Dimensions: 8.58"W x 11.25"H

Net Wt.: 5.74 lbs. (2.6 kg)

Shipping Wt.: 9 lbs.



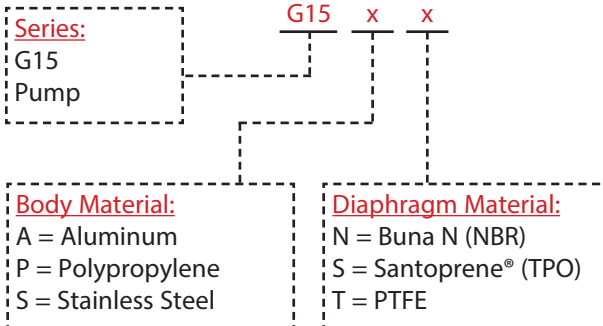
Stainless Steel (NPT)

Dimensions: 7.64"W x 10.43"H

Net Wt.: 18.1 lbs. (8.2 kg)

Shipping Wt.: 22 lbs.

Model Number Nomenclature

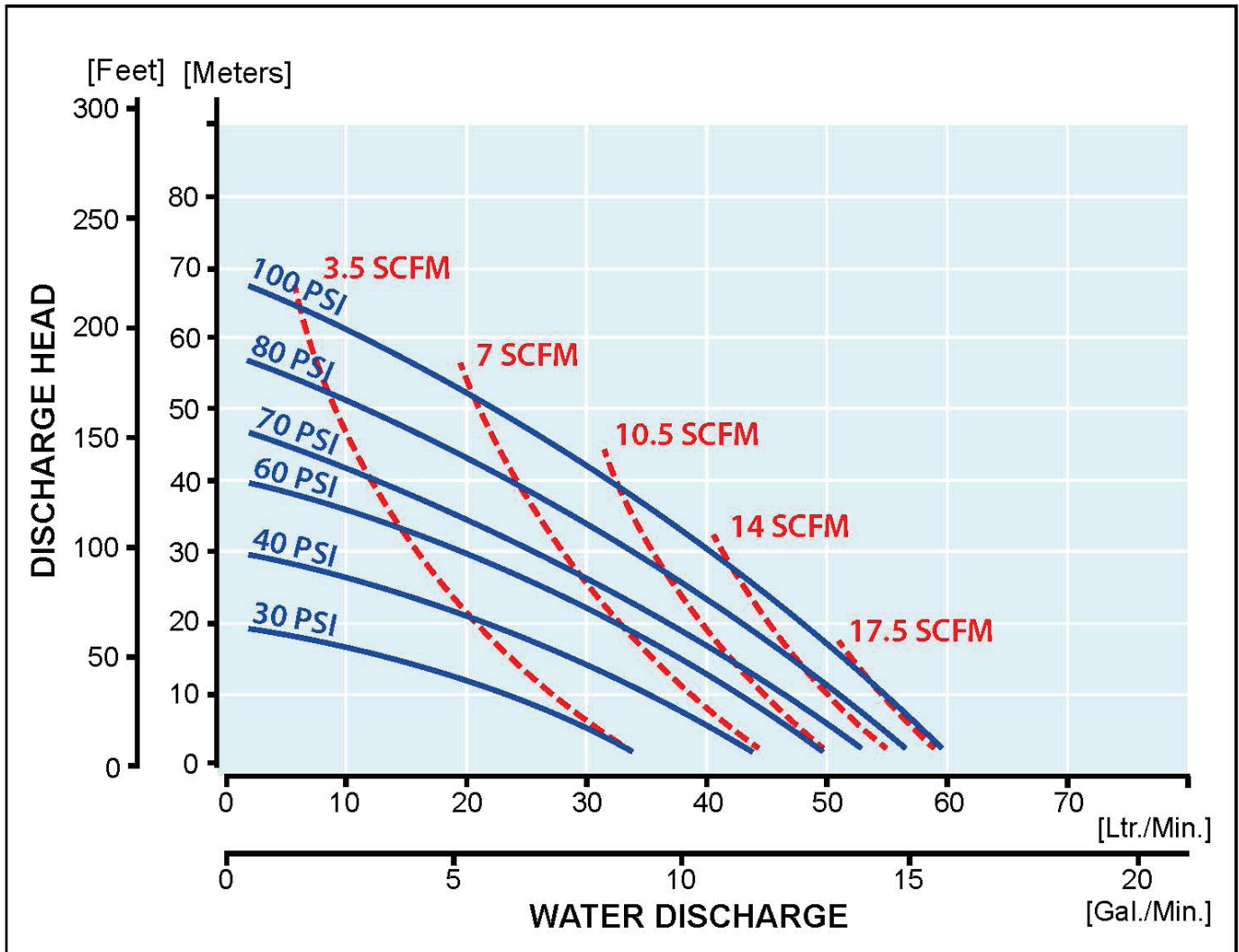


G15 Series Models

G15AN	G15SN	G15PS
G15AS	G15SS	G15PT
G15AT	G15ST	

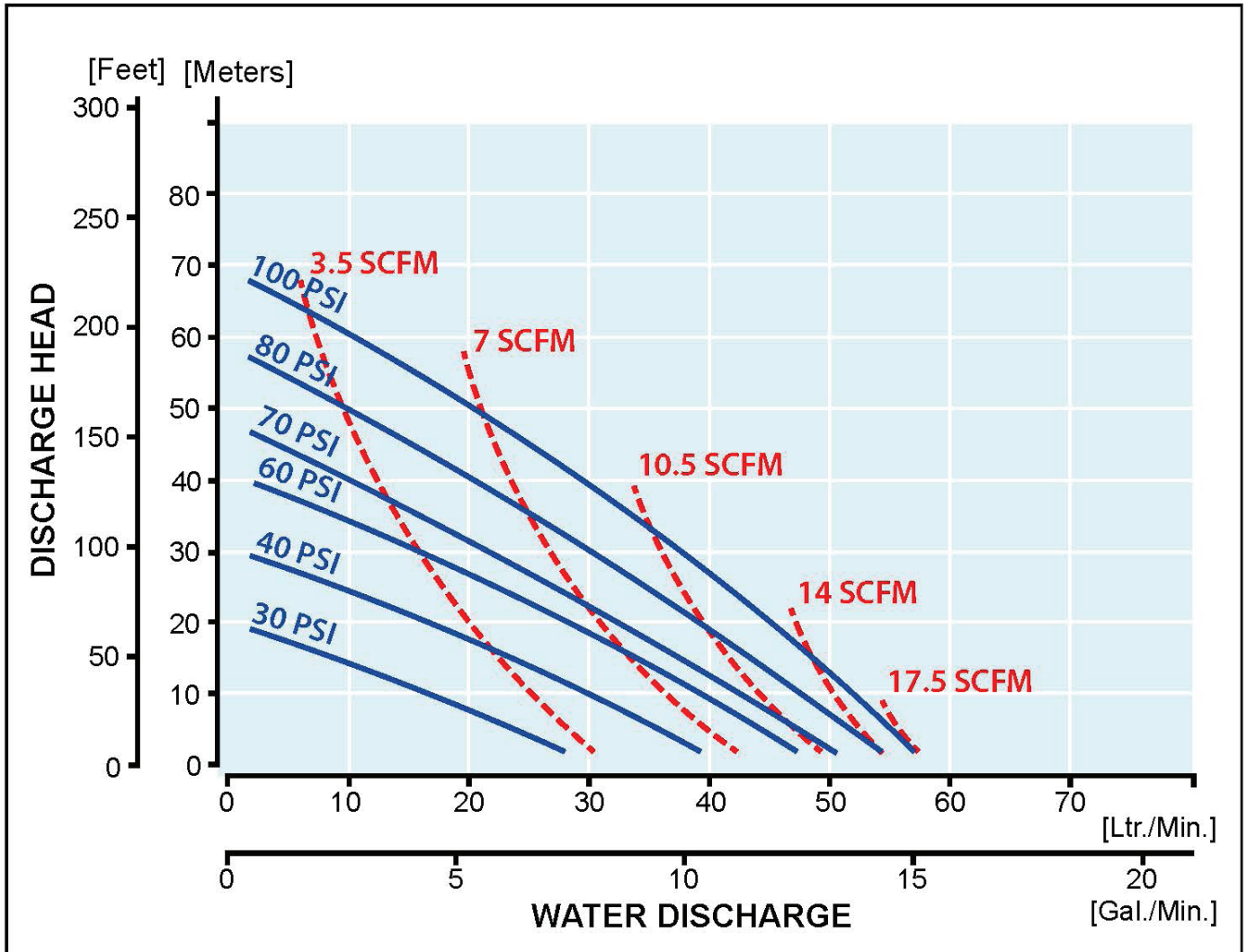
G15A Performance Curve - Rubber

Rubber Diaphragm Performance Curve



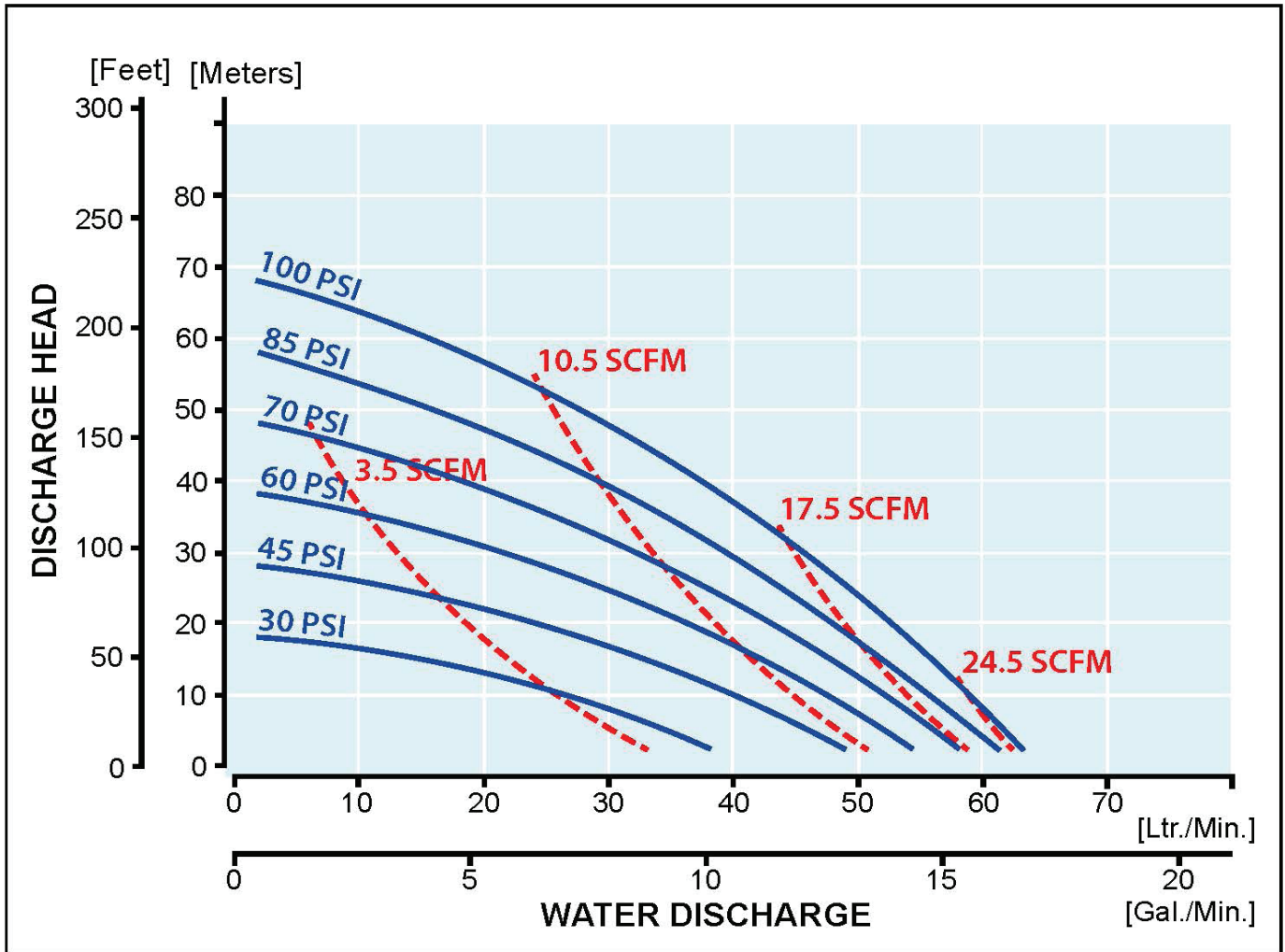
G15A Performance Curve - PTFE

PTFE Diaphragm Performance Curve



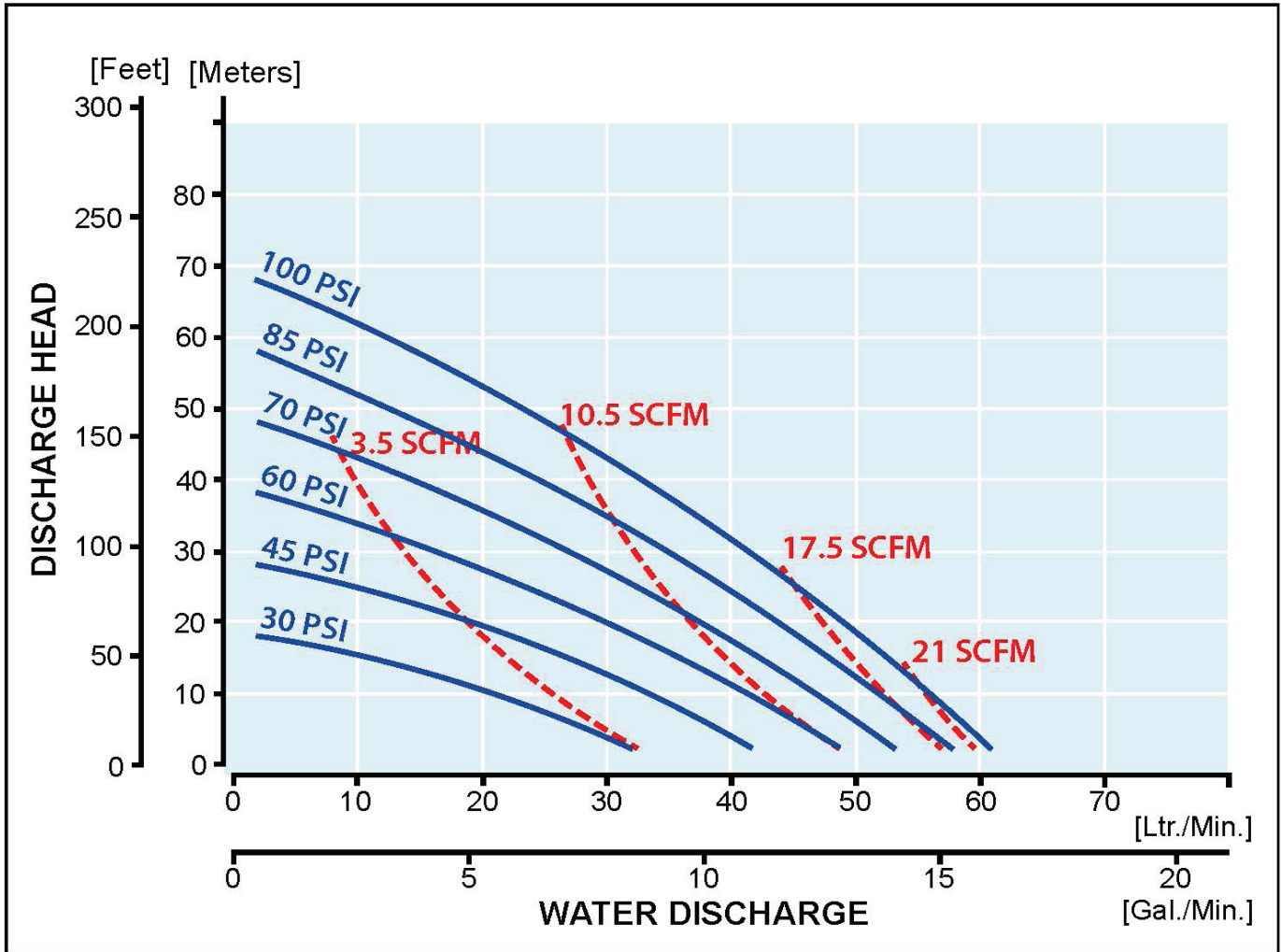
G15P Performance Curve - Rubber

Rubber Diaphragm Performance Curve



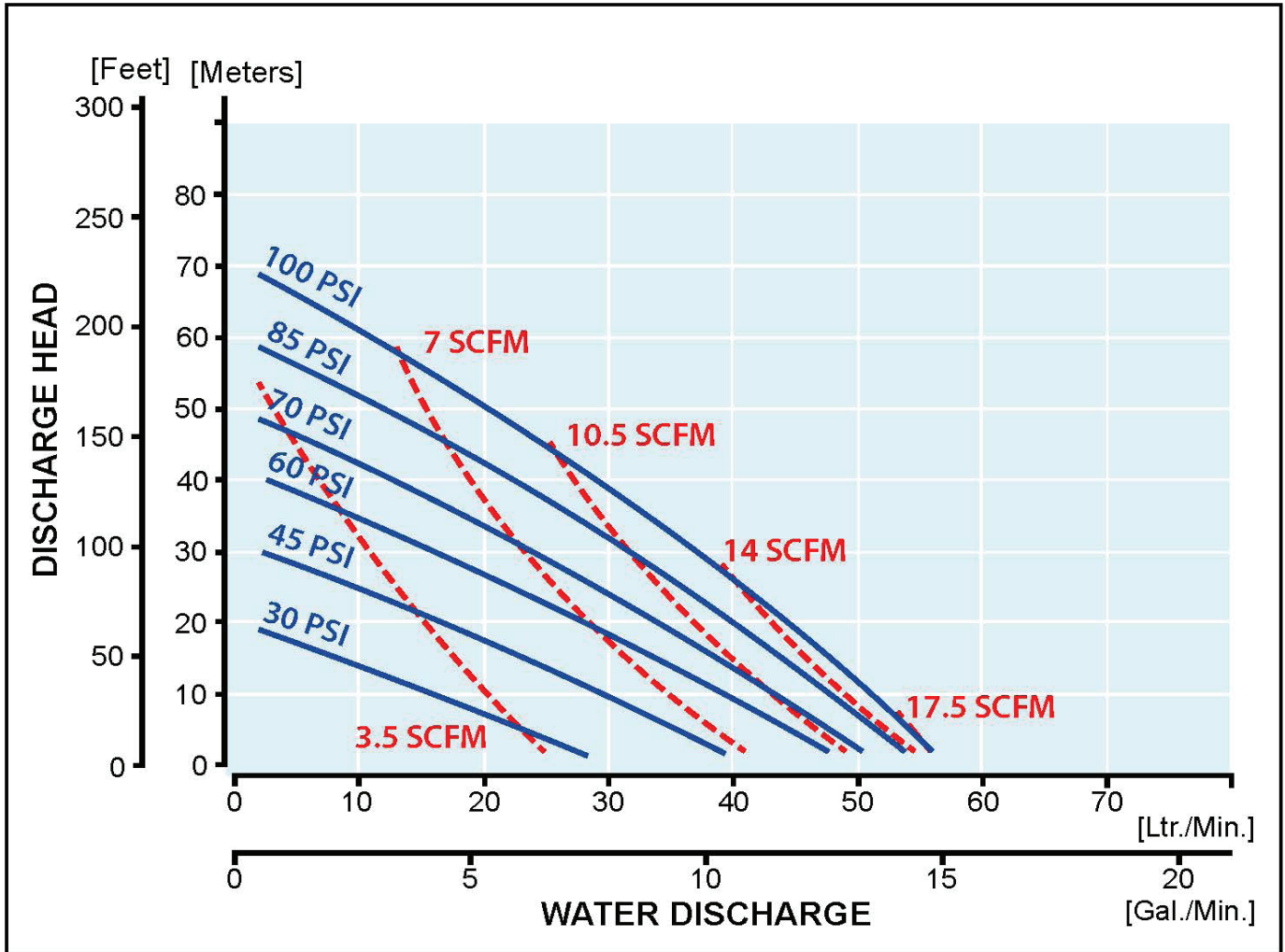
G15P Performance Curve - PTFE

PTFE Diaphragm Performance Curve



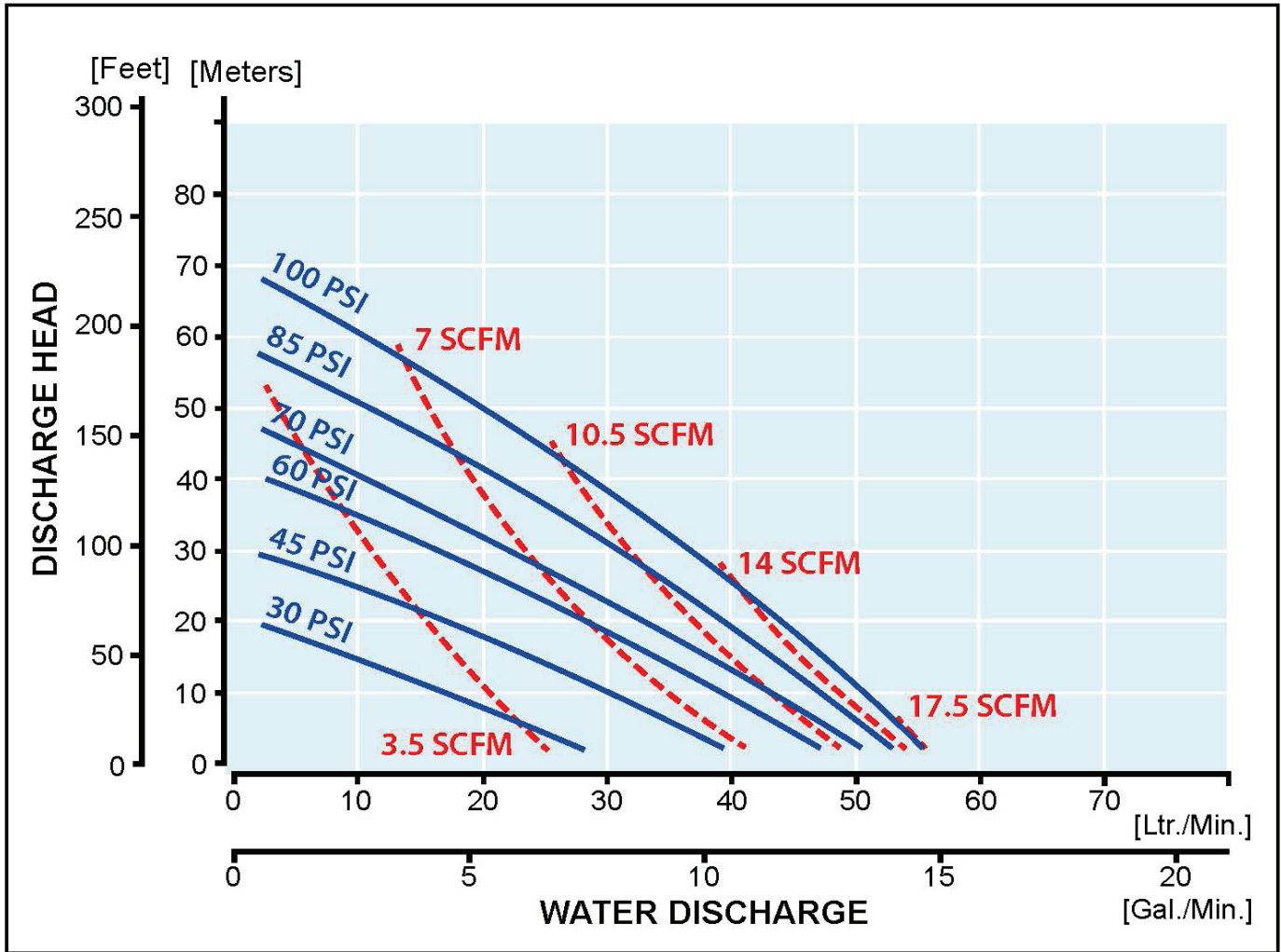
G15S Performance Curve - Rubber

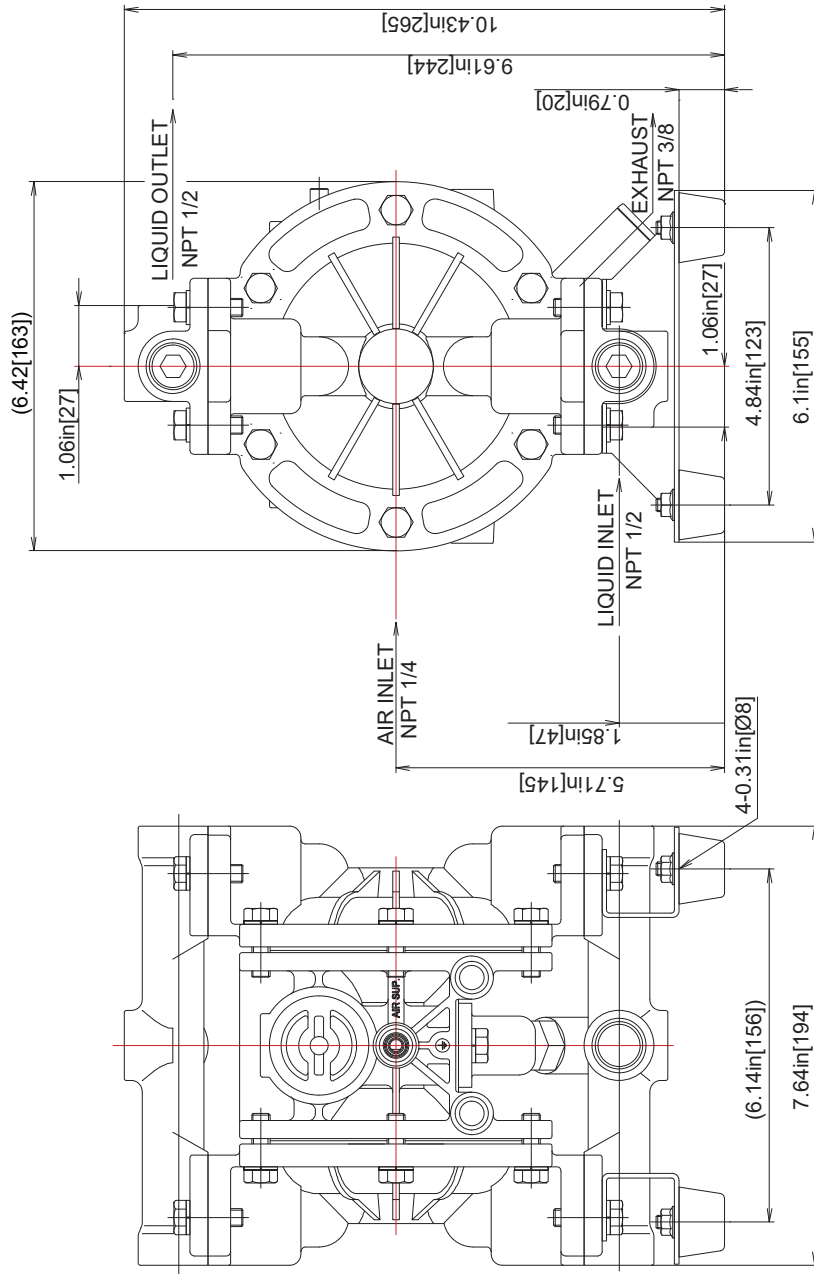
Rubber Performance Curve



G15S Performance Curve - PTFE

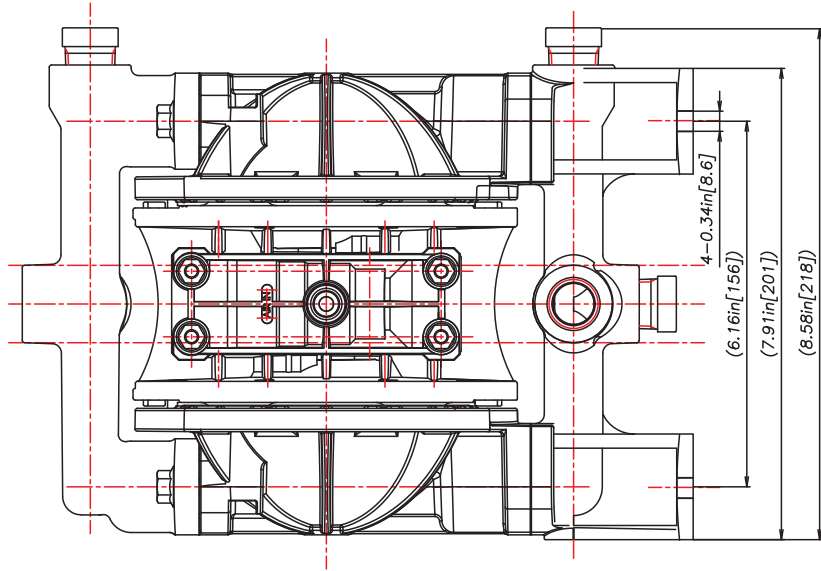
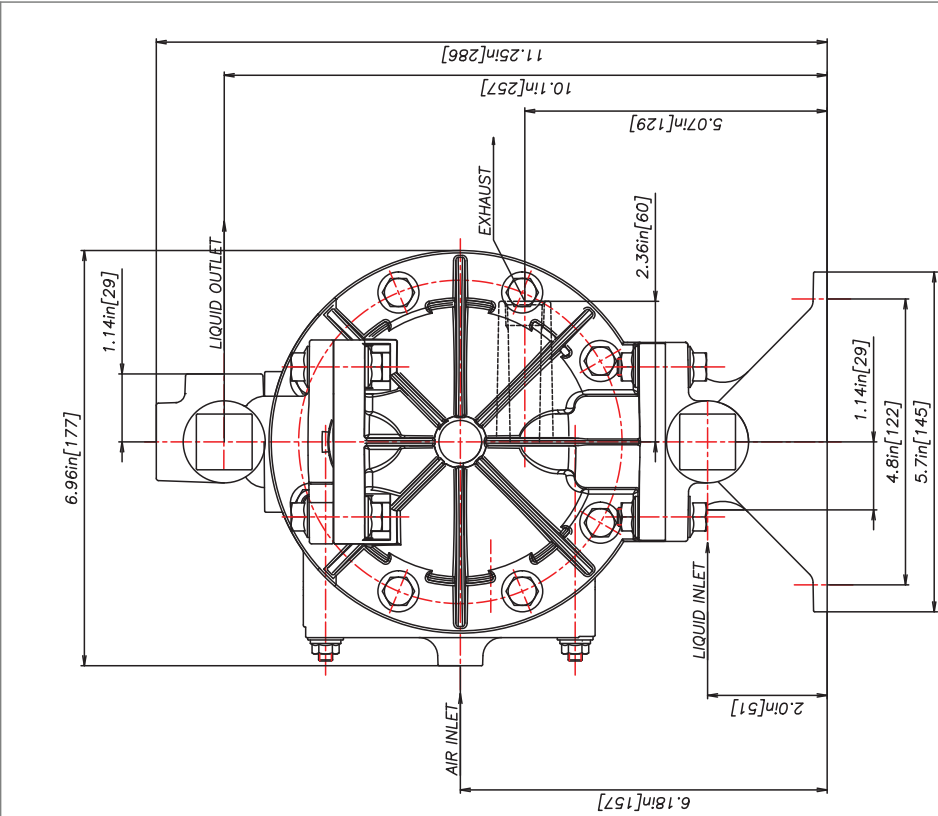
PTFE Performance Curve





REV	DATE	DESCRIPTION	APPR'D
THE DWG. OF:			
DIAPHRAGM PUMP ASSEMBLY			
SCALE	DATE	DRAWN BY	MK
	09/13/2018		
APPROVED BY			
THIRD ANGLE PROJ.	DRAWING NUMBER: G15A		
REV	1		

YAMADA AMERICA, INC.
 955 EAST ALGONQUIN ROAD - ARLINGTON HEIGHTS, ILLINOIS 60005
 TOLL FREE 800-990-7867 OR 630-231-4083
 THIS IS A CAD DRAWING AND MUST NOT BE ALTERED MANUALLY.

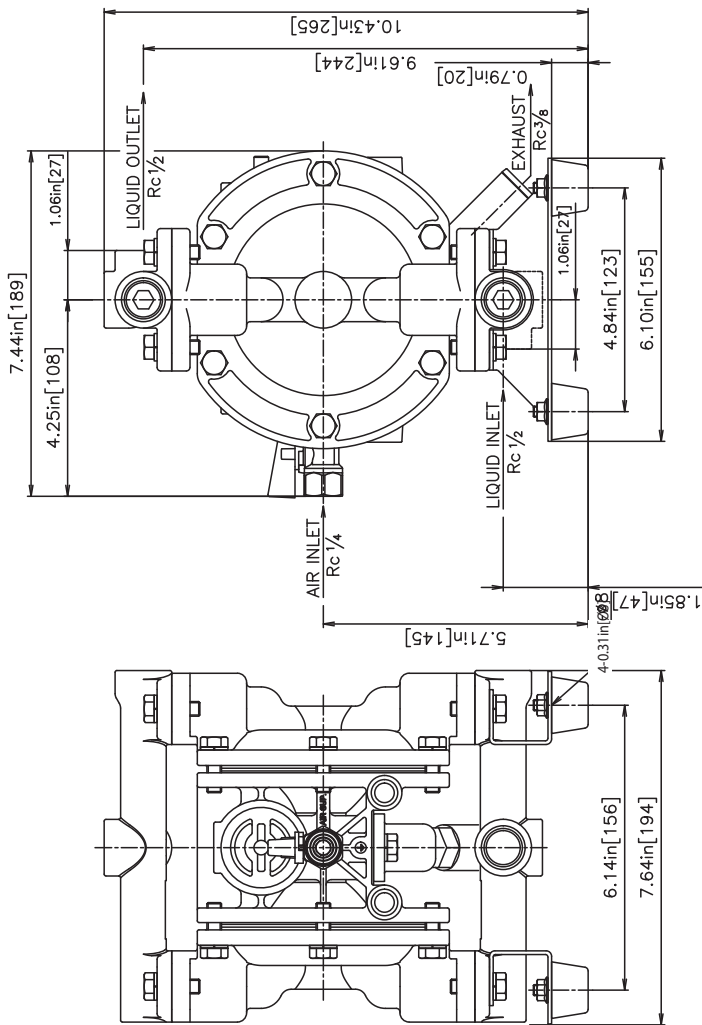


REV	DATE	DESCRIPTION	APPRD

THE DWG-OF: **DIAPHRAGM PUMP ASSEMBLY**

SCALE: **---** DRAWN BY: **MK**
 DATE: **09/13/2018** APPROVED BY: **---**
 THIRD DRAWING NUMBER: **G15P**
 ANG: **PRL1** REV: **1**

YAMADA AMERICA, INC.
 955 EAST ALGONQUIN ROAD - ARLINGTON HEIGHTS, ILLINOIS 60005
 TOLL FREE 800-990-7867 OR 630-231-4083
 THIS IS A CAD DRAWING AND MUST NOT BE ALTERED MANUALLY.



REV	DATE	DESCRIPTION	APPRD
THE DWG. OF:			
YAMADA DIAPHRAGM PUMP			
SCALE	NTS	DRAWN BY	MK
DATE	01/25/19	APPROVED BY	-
THIRD ANGRD.	DRAWING NUMBER: G15S		
REV	1		

YAMADA AMERICA, INC.
 955 EAST ALGONQUIN ROAD - ARLINGTON HEIGHTS, ILLINOIS 60005
 TOLL FREE 800-990-7867 OR 630-231-4083
 THIS IS A CAD DRAWING AND MUST NOT BE ALTERED MANUALLY.

AutoCAD® is a registered trademark of Autodesk, Inc.

Hytrel® is a registered trademark of E.I. du Pont de Nemours and Company.

Kynar® is a registered trademark of Arkema.

Nordel™ is a trademark of DuPont Dow Elastomers.

Ryton® is a registered trademark of Chevron Phillips Chemical Company.

Santoprene® is a registered trademark of Advanced Elastomer Systems.

Viton® is a registered trademark of DuPont Performance Elastomers.

Swagelok™ & VCR™ are trademarks of the Swagelok Companies.

Flaretek® is a registered trademark of Entegris.

Garlock ONE-UP® is a registered trademark of W.L. Gore & Associates.

Yamada® is a registered trademark of Yamada America, Inc.

SolidPRO Designed to Pump Fluids Containing Solids® is a registered trademark of Yamada America, Inc.

Xtreme Duty Pro XDP® is a registered trademark of Yamada America, Inc.

The Proof's in the Pump® is a registered trademark of Yamada America, Inc.

The Proof is in the Pump® is a registered trademark of Yamada America, Inc.

Engineered to Perform. Designed to Outlast.® is a registered trademark of Yamada America, Inc.

Due to Yamada's continued commitment to product improvement, specifications may change without notice.